

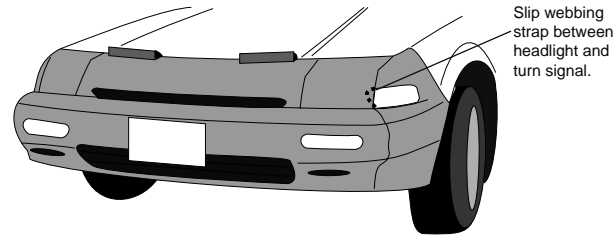
Step Three

Pull the cover back to the wheel wells and hook the Grommets in the cover over the Grommet Hooks installed in the wheel wells. Slip the pockets in the cover over the lower edge of the wheel wells.

Step Four

Slip the webbing strap, sewn to the cover, around and under the turn signal and up between the turn signal and the headlight (see Figure 9). Pull up on the cover and slip the Grommets in the cover over the Grommet Hooks installed in the engine compartment.

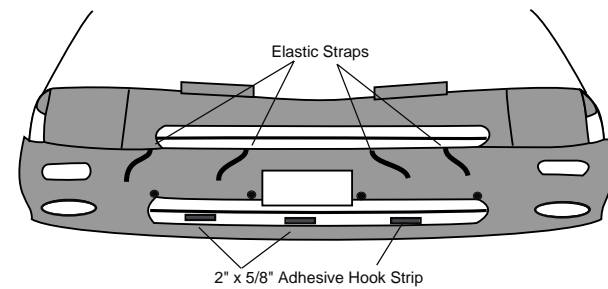
Figure 9



Step Five

Slip the four elastic straps down behind the bumper. Make sure you keep them against the back of the bumper. Do not take them over the braces or the coil. Snap them to the bottom of the cover.

Figure 10



Fabric Fasteners

The adhesive Hook Strip attaches to the Loop portion sewn into the cover and provides a quick and secure fastener.

Step One

Use a 50/50 solution of alcohol and water to clean the locations for the adhesive Hook Strip (see Figures 4, 10 and 11). Be sure to remove all dirt, silicone sealants, wax, and any other substances which might prevent the adhesive from sticking to the paint.

Note: Do not attempt to apply the adhesive hook in temperatures of less than 60° F. The adhesive backing will fully set within 72 hours of application. You may install the Front End Cover after about one hour, but you should avoid unnecessary fastening and unfastening of the cover for 72 hours.

Step Two

Cut the 1" Adhesive Hook into:
2 pieces - 1 1/2 inches each
4 pieces - 2 inches each
Note: These pieces are used in the Hood Cover installation.

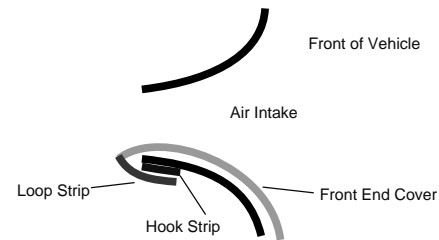
Step Three

Using the Loop Strips sewn to the cover as guides, install the hook as shown in Figures 10 and 11. Remove the plastic backing and install the strips so that they run along the back of the air intake opening. Use firm, direct pressure to insure maximum adhesion.

Step Four

Pull the loop tabs back behind the spoiler and fasten them to the Adhesive Hook Strips.

Figure 11



Step Five

"This completes the installation of your custom-designed front end cover."

LeBra®

Owner's Manual Model #55156 - LeBra® Honda Accord

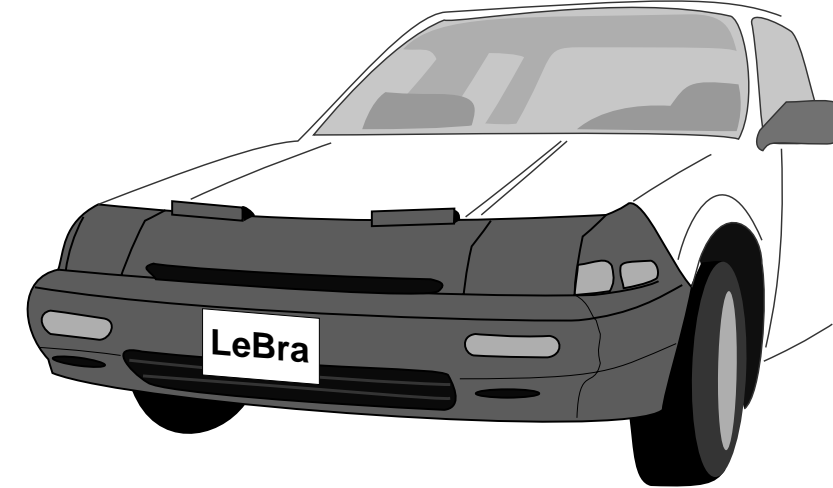
About Your Global Accessories Product

Congratulations on your purchasing decision. Global Accessories, Inc. designed the LeBra® Front End Cover to be the very best available. With proper care, your LeBra® Front End Cover will provide years of stylish looks and maximum protection.

Installation of the LeBra® Front End Cover is a simple process that should take about 30 minutes. Removal and reinstallation (as for car washing) takes just a few minutes.

If you encounter any problems during the installation of your LeBra® Front End Cover, please contact our Consumer Response Department, Monday - Friday, 9AM - 4PM (MST) at 1-800-950-9502.

Note: Please read this manual thoroughly before beginning the installation. After completing installation, keep this manual for further reference.



Tips for Easier Installation and Care

- Before Installation, wash and wax your vehicle. Use a paste wax—not a spray—on the hood and fenders in order to maintain the finish underneath the LeBra® Front End Cover.
- Install the LeBra® Front End Cover in temperatures of 70°F (21°C) or higher. The warmth will make the fabric more pliable and will allow it to stretch slightly for a tighter and smoother fit.
- Do not use vinyl cleaners or protectants on your LeBra® Front End Cover. These cleaners reduce the breathability of the vinyl and will void the Global Accessories Warranty.
- Do not install the LeBra® Front End Cover on any vehicle that does not still have its original factory paint. Global Accessories will not be held liable for any warranty claims of paint damage to repainted vehicles.
- Remember that the LeBra® Front End Cover also protects paint from fading due to sunlight while the rest of the car is exposed. Global Accessories will not be held liable for any warranty claims on sun-faded paint.
- Caution:** There may be elastic straps described in some sections of this manual that can snap back if not properly hooked. To avoid injuries, exercise caution and use safety glasses when installing.
- Where available, always use the loops sewn to the cover to remove the plastic clips. **DO NOT PULL UP ON THE CLIPS OR THE FABRIC TO REMOVE THE COVER.** When removing the cover, it will be easiest to reverse the installation steps.

Contents

Tools Needed	Pg. 2
Parts List	Pg. 2
Hardware Identification	Pg. 2
Installation Instructions	
Hood Cover	Pg. 2
Headlight Covers	Pg. 3
Hardware Fasteners	Pg. 3
Front End Cover	Pg. 4
Fabric Fasteners	Pg. 4

What You'll Need

Here's all you'll need to install your LeBra® Front End Cover.

- A 10mm wrench
- A phillips screwdriver
- A flat screwdriver
- A pair of scissors
- Safety glasses
- Alcohol/Water solution (50/50)
- A soft cloth
- A tape measure or ruler

That's it. With these tools, you're ready to go.

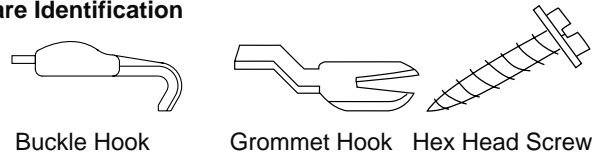
Unpacking: What You Have

Remove all parts from the shipping container. Check each part included against the following Parts List and look for any possible damage from shipping.

Parts List

Item	Description	Qty
1	Cover, hood	1
2	Cover, front end	1
3	Cover, headlight -passenger	1
4	Cover, headlight - driver	1
5	Hook, adhesive 11" x 1"	1
6	Hook, adhesive 6" x 5/8"	1
7	Hook, grommet	4
8	Screw, hex-head #10 x 3/4"	2
9	Hog Ring	1
10	Hook, buckle	4

Hardware Identification



The right side of the fabric is indicated as:



Installing the Hood and Headlight Covers

The Hood Cover

Step One

Open the hood and slip the front edge of the Hood Cover over the front edge of the hood (see Figure 1). Make sure that the corners of the hood fit snugly into the corners of the Hood Cover (do not connect plastic clips at this time). When the Hood Cover fits snugly, stretch the fabric at straps to remove major wrinkles.

Step Two

Stretch one of the 18 inch elastic straps sewn to the Hood Cover to the hole at the rear of the hood's underside, as shown in Figure 1. Now, with the hook on the Buckle Hook pointing toward the hood and away from the front of the vehicle, thread the elastic strap through the 2 loops on the Buckle Hook, as shown in Figure 2. Hook the Buckle Hook into the hole in the hood and pull loose end of strap to tighten. Repeat the above procedure with the 12 inch straps, hooking them into the hole near the center of the hood as in Figure 1.

Figure 1

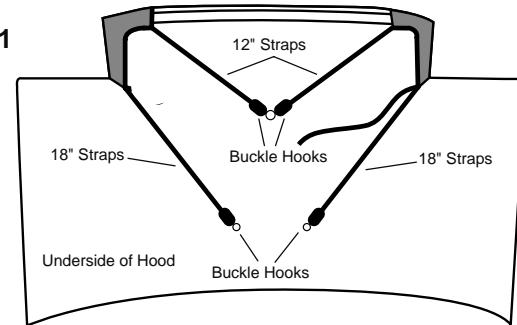
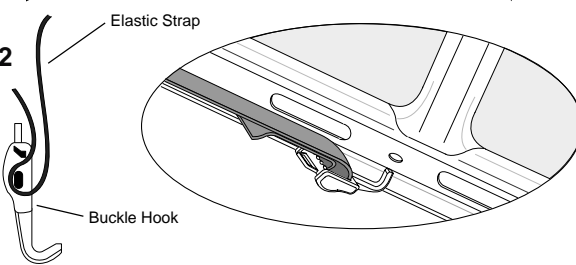


Figure 2



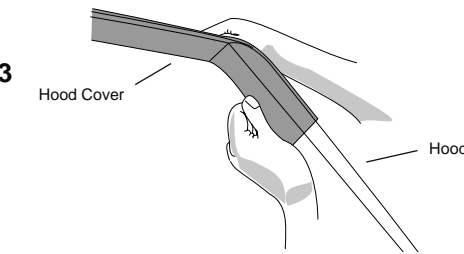
The Strap should be as tight as possible without tearing. Tie off excess elastic to keep free of the engine compartment. Repeat this process for the other side.

Note: Check all straps periodically to insure tension. Adjust tightness if necessary.

Step Three

With the Hood Cover in place, pull the fabric on the sides of the hood around to the underside of the hood on both sides. This will insure maximum tightness of the Hood Cover (see Figure 3).

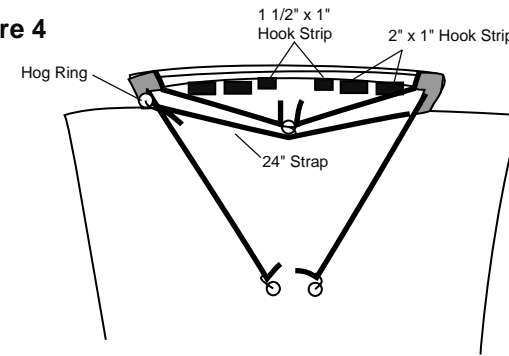
Figure 3



Step Four

The remaining strap provides better tension and stability for the cover. Stretch the remaining strap across the underside of the hood and fold at the Grommet on the opposite side (see Figure 4). Insert a Hog Ring through the double thickness of the strap and hook the Hog Ring into the Grommet as in Figure 4. Hook the remaining Hog Ring near the center of the strap and hook it into the hole near the center of the hood. Tie off excess elastic. Again, make sure the strap is taut.

Figure 4



Step Five

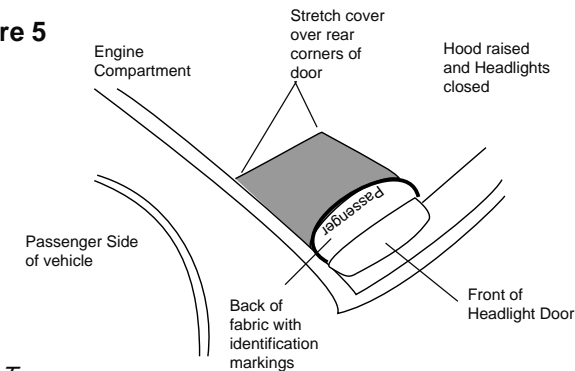
Locate the loop tabs sewn to the hood cover, slip them through the grille opening in the hood (see Figure 4). Mark the areas to be cleaned. Refer to the Fabric Fastener section, steps 1 and 2, for instructions to prepare the surface before installing the adhesive Hook Strip. Once the areas have been cleaned, remove the backing on the Hook Strips and press them firmly into place. Attach the loop strips in the cover to the Hook Strips.

The Headlight Covers

Step One

With hood raised and headlights closed, select the Headlight Cover with "Passenger" marked on the inside of the cover. Stretch the cover over the rear corners of the headlight door (See Figure 5).

Figure 5



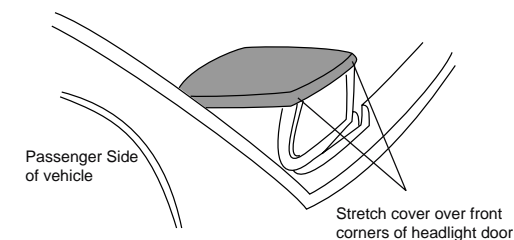
Step Two

While the headlights are in the closed position repeat the above procedure with the Drivers side.

Step Three

Raise the headlights and stretch the covers over the front corners of the headlight doors. Pull fabric down as much as possible all around (See Figure 6).

Figure 6



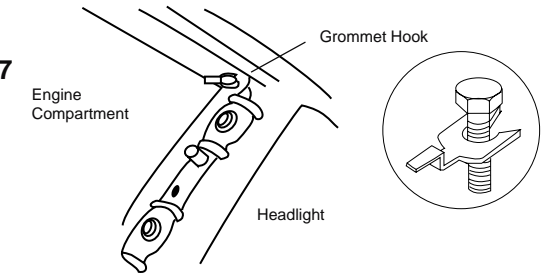
The Hardware Fasteners

Your LeBra® Front End Cover may be quickly removed and reinstalled for cleaning and maintenance by undoing the fasteners. There are two types of fasteners—hardware fasteners and fabric fasteners. The following section will show you how to install the hardware fasteners. This model uses Grommet Hooks.

Step One

Open the hood and loosen the 10mm bolt on each side of the front of the engine compartment (see Figure 7). Slide a Grommet Hook under each bolt so that the hook points in toward the center of the engine compartment. Tighten the bolts until you cannot turn the Grommet Hooks.

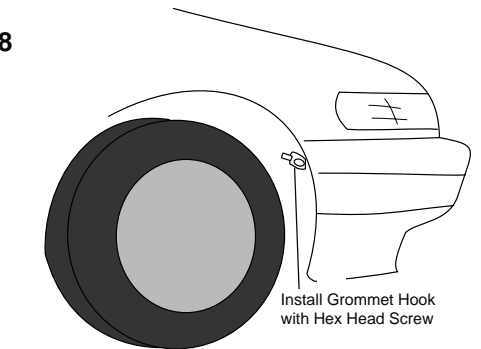
Figure 7



Step Two

Locate and remove the top phillips screw in each of the front wheel wells (see Figure 8). Replace the screws with #10 x 3/4" Hex Head Screws from the parts kit. Slip a Grommet Hook under each of the Hex Head Screws and tighten the Screws with the Grommet Hooks pointing toward the opposite side of the car. Tighten the screws until you cannot turn the Grommet Hooks.

Figure 8



The Front Cover

This section explains how to install the front cover portion of your LeBra® Front End Cover.

Step One

Raise the headlights and open the hood. Now determine the proper orientation of the cover on the vehicle by stretching the cover across the front.

Step Two

Slide the license plate through the opening in the cover. The fabric should lay smooth behind the license plate bracket.